



a xylem brand

17" DELUXE FLUSH TOILET

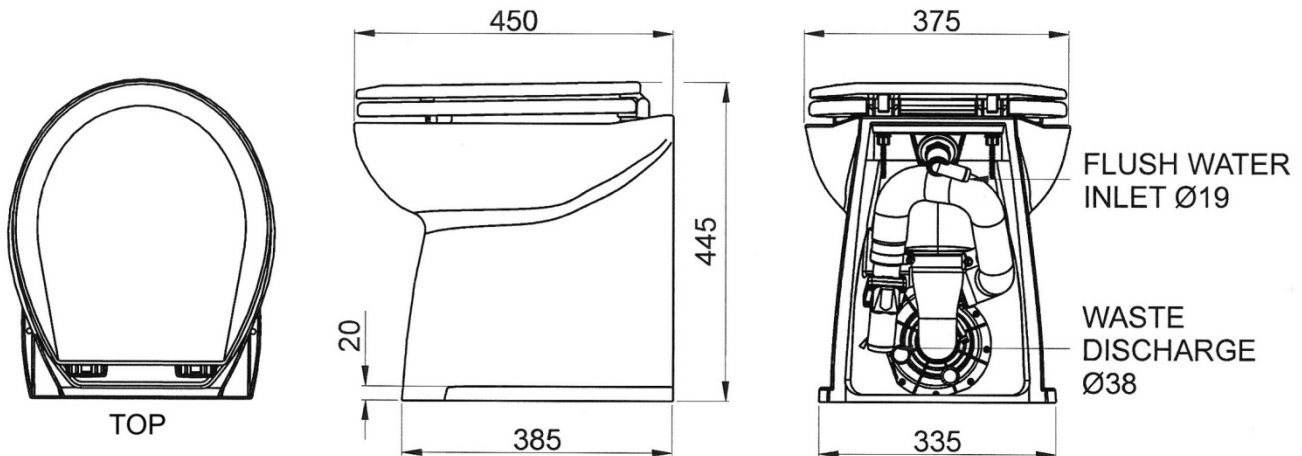
*Part of the
deluxe
flush range*



- * Space saving stylish design
- * Regular household size seat
- * Virtually silent operation
- * Owner selectable choice of leaving bowl wet or dry after use
- * User selectable choice of "one touch" flush cycles for minimal water usage - a 'Quick Flush' uses less than 1 litre
- * Fresh or raw water rinse models
- * Non-clogging large bore flush pump macerates waste
- * Uses less than 1.0 amp/hour per day
- * ISO 8846 MARINE - Ignition Protection
- * Crevice free contours for added cleanliness and hygiene
- * All plumbing and wiring concealed
- * Angled or Vertical back vitreous china bowl

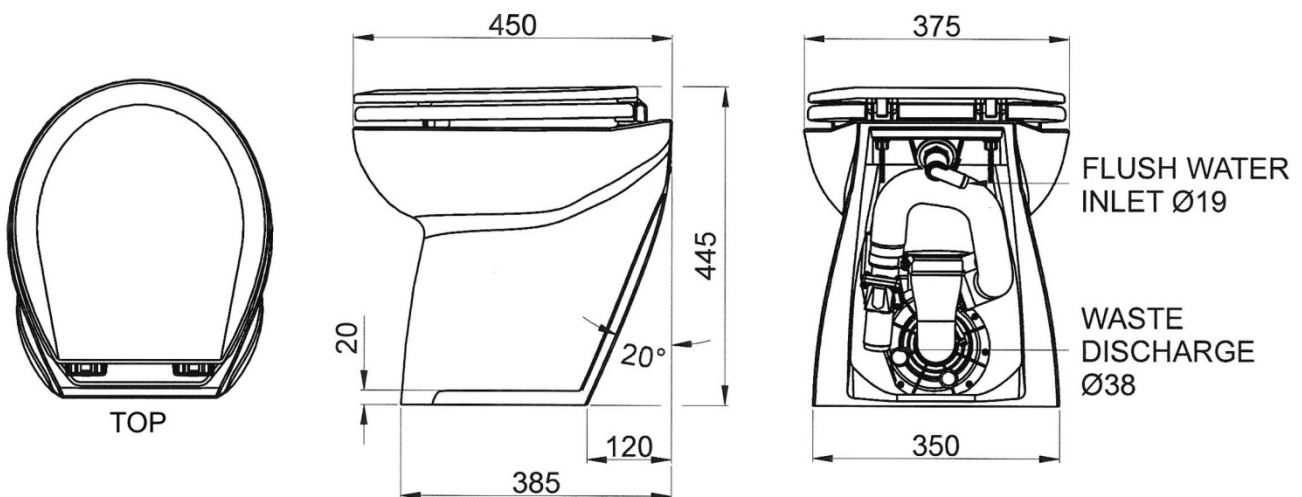


MODEL
DELUXE FLUSH 17" STRAIGHT BACK



MODEL
DELUXE FLUSH 17" ANGLED BACK

Approximate dimensions in mm



MODEL	DESCRIPTION	PART NUMBER
17" Straight back	Fresh water flush, 12v dc	58040-1012
	Fresh water flush, 24v dc	58040-1024
	Raw water (sea, river, or lake water) flush	58240-1012
	Raw water (sea, river, or lake water) flush	58240-1024
17" Angled back	Fresh water flush, 12v dc	58020-1012
	Fresh water flush, 24v dc	58020-1024
	Raw water (sea, river, or lake water) flush	58220-1012
	Raw water (sea, river, or lake water) flush	58220-1024

Fresh water flush 58020 & 58040 are supplied with a combined solenoid valve and siphon breaker assembly for connection to any existing pressurised water system capable of delivering at least 11 litres/min. The siphon breaker ensures there is no backflow from the toilet into the pressurised water system.

Raw water flush 58220 & 58240 are supplied with a remote mounted self-priming pump to bring in sea, river, or lake rinse water. Complete with Pumpgard strainer.